

Refrigerated Storage Sampling

VSP-860

Overview

The Honeywell Refrigerated Storage Sampling Kit provides a standardised method of smoke sampling for Refrigerated Storage facilities in a considerably improved manner allowing simplified installation with reduced maintenance, thus promoting more reliable and hassle-free operation.

The Honeywell Refrigerated Storage Sampling Kit has been designed to replace standard cone-shaped sampling nozzles installed at the ceiling in existing or new Refrigerated Storage facilities. This kit can be installed in the entire facility or combined with standard sampling points if required. The aim here is to reduce direct ice blockage of the sampling points hence this kit is recommended for installation in areas where higher humidity is likely to occur as a result of vehicle and pedestrian traffic (e.g. areas close to doorways or perimeter of the facility).

This kit is treated as a standard sampling hole in the Honeywell ASD system design, in terms of system parameters (e.g. sampling hole location, hole size, transport time, sampling hole sensitivity)

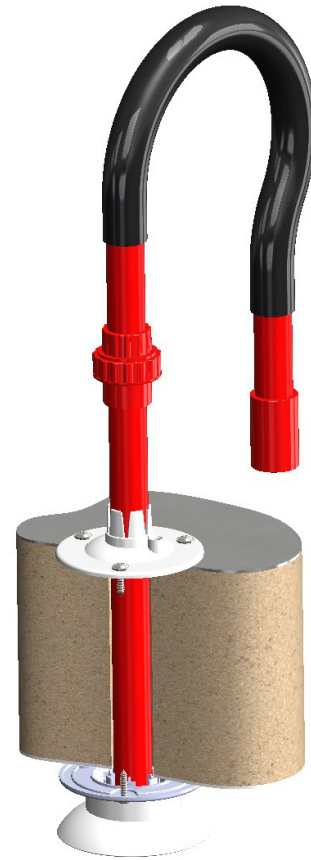
Description

The sampling kit consists of outer and inner parts with the sampling pipe penetrating the Refrigerated Storage sandwich panel. The sampling pipe through the sandwich panel and inner parts are made of ABS plastic which is suitable for low temperatures down to -40°C (-40°F). The kit comprises a restriction assembly, placed above the sandwich

panel, which consists of a sampling orifice within a socket union.

Detectors Supported

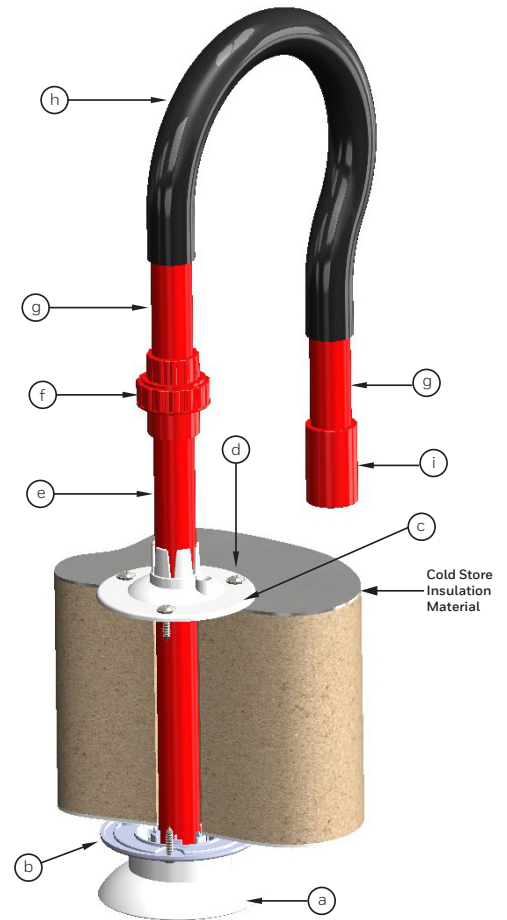
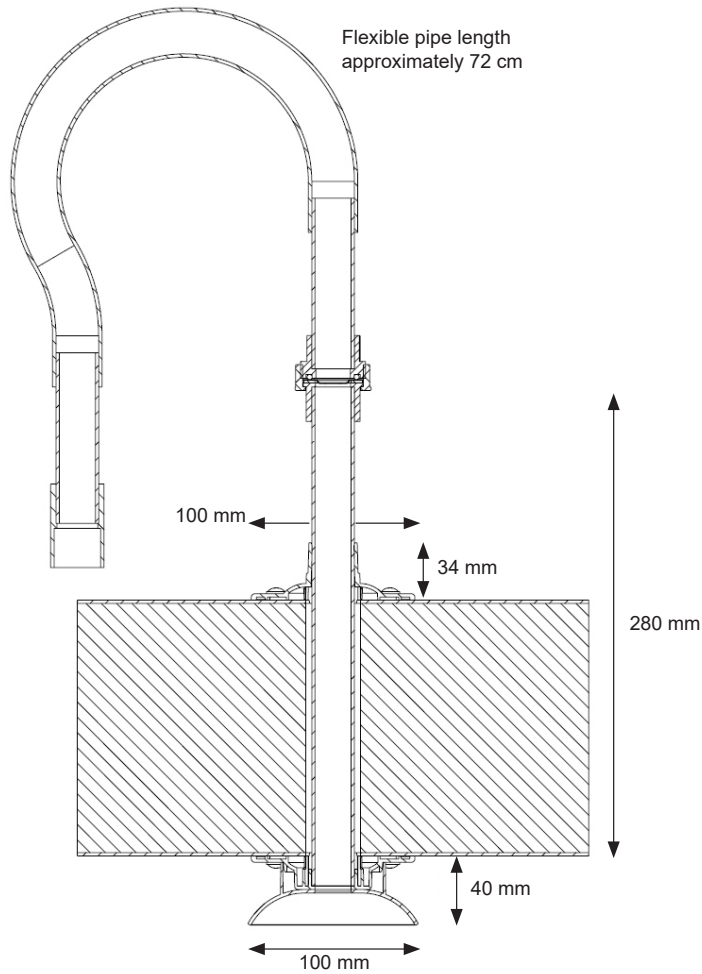
- All Honeywell detectors installed with large bore pipe networks.



FEATURES

- Enables the ASD pipe to be installed, inspected and maintained outside the Refrigerated Storage facility hence enabling fire contractors to work in ambient conditions most of the time
- Suited for facilities with and without ceiling cavities
- Eliminates the need for expensive HDPE (high density polyethylen pipe inside the Refrigerated Storage facility
- Eliminates the need for costly access equipment hire for on-going service/maintenance
- Eliminates the need for heat tracing
- Less prone to blockage due to icing
- Provides a generally more robust ASD installation for these unique environments
- Provides considerably improved aesthetics
- Minimises the need for "Back Flush" systems
- Offers all round cost savings

VSP-860 Dimensions



ORDER CODES	
DESCRIPTION	PART NUMBER
Refrigerated Storage Sampling Kit*	VSP-860

ITEM NO	DESCRIPTION
a	Inlet Funnel
b	Inner Flange
c	Outer Flange
d	Screw self-tapping
e	Tube-lower
f	Socket Union-including Flow Restrictor and Seal
g	Tube-Upper
h	Flexible Pipe
i	US Pipe Adaptor

* Please ensure a suitable T-junction is used.

Honeywell

140 Waterside Road
Hamilton Industrial Park
Leicester
LE5 1TN

Tel: +44 (0) 203 409 1779

Email: hlsuksalesupport@honeywell.com

All technical data is correct at the time of publication and is subject to changes without notice. All trademarks acknowledged. Installation information: In order to ensure full functionality, refer to the installation instructions as supplied.

ASD-RSSK-860 | 10/18

© 2018 Honeywell International Inc.

Honeywell