

NETWORK 16 DIGITAL DDA INTERFACE

Emergency Voice Communication System

The Network 16 DDA Interface enables the existing Honeywell Emergency Assist Alarm kit (EVCS-TAP) to be easily installed onto the Network 16 loop based EVCS System.

The DDA Interface contains a short circuit isolator to ensure a fault tolerant loop connection and has a built-in output to connect a wide range of sounders/ and indicators (supplied separately) for user reassurance in the event of a user activation.



FEATURES AND BENEFITS

- Network 16 DDA interface powered output changes state when call is acknowledged at Network 16 panel.
- Reassurance light / sounder along with self-adhesive pictogram can be installed.
- Disablement function on Network 16 to disable system from making / receiving calls until it has an external input (eg Fire relay)
- Avoid nuisance calls
- DDA interface overrides panel disablement.
- Operate pull cord to place call
- LED's illuminate pull cord unit, cancel button and over door indicator
- Internal buzzer will sound in external over door indicator
- Press cancel button supplied to reset system or abort call
- Unanswered call on Network 16 panel will relay on main panel
- Variable time function

WIRING AND INSTALLATION

System Installation

The Emergency Assist Alarm should be installed in accordance with local building regulations and country codes of practice. The diagram below demonstrates a typical layout for installation in a disabled persons toilet. Note: Where pertinent other or alternative standards of design and installation should be adhered to.

All system components are designed to be sited internally and positioned in locations where they are readily accessible by the user. The area should be clean and dry. Sound and light levels allow the status of all device indicators and sounders to be seen and heard.

Wiring

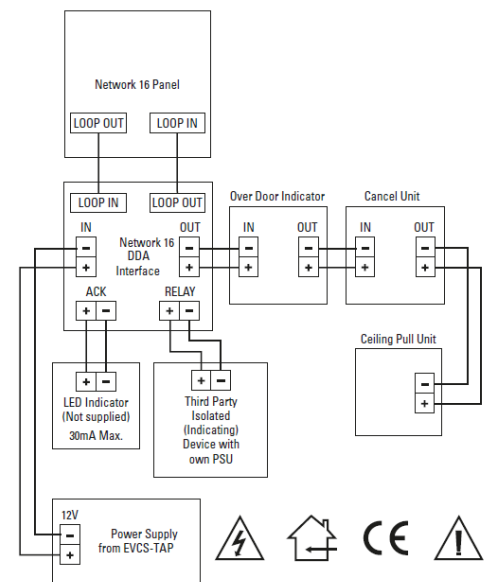
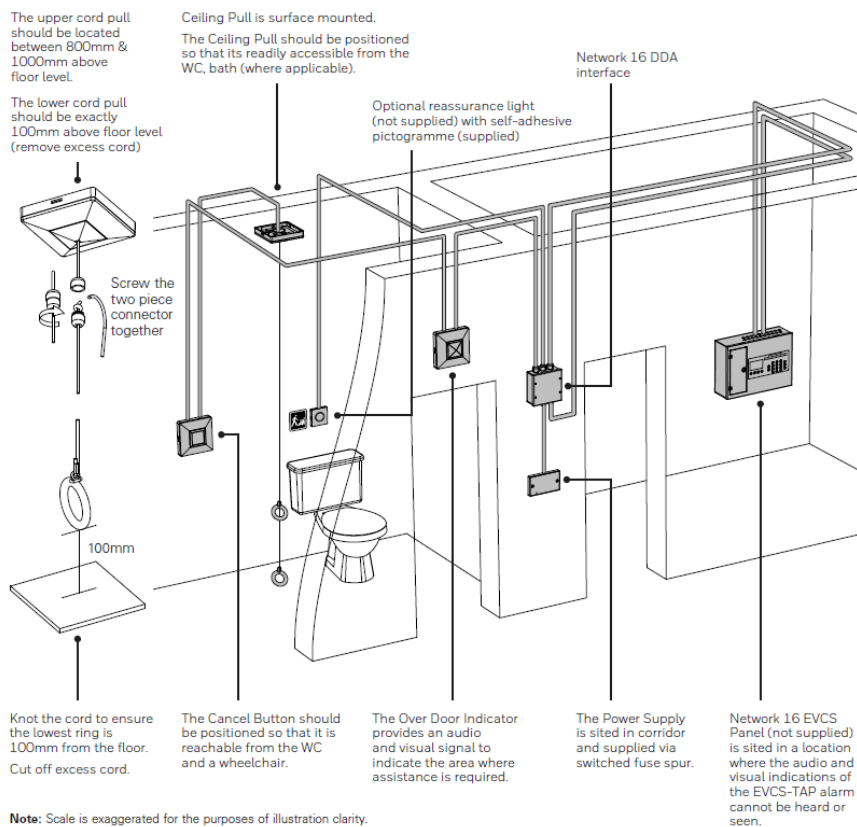
The wiring from the Network 16 DDA interface consists of a single pair in for alarm and a single pair out for reassurance if required, this does not have to be fire rated cable, although this may be used.

The mains powered supply must be wired by a qualified person in accordance with the latest revision on the IEE wiring regulations (currently 17th Edition), and connected to the building mains supply using a fused spur (fitted with a 3A fuse). All mains wiring should be provided in accordance with current wiring regulations and in accordance with relevant national wiring rules.

Always segregate Extra Low Voltage (ELV) wiring from the mains wiring. System requires minimum 2 core 0.4mm² cable. All wall mounting devices should be mounted onto a back box of the required depth.

System Operation

To place a call - operate the pull cord. LEDs will illuminate on pull cord unit, cancel unit and over door indicator. An internal buzzer will also sound in the external over door indicator.



PART NUMBERS	
DESCRIPTION	ORDER CODE
Network 16 Digital DDA Interface	EVCS-TAP-D
Emergency Assist Alarm Stand Alone Kit	EVCS-TAP

For more information

Contact your Business Manager

Honeywell

140 Waterside Road
Hamilton Industrial Park
Leicester, LE5 1TN
Tel: +44 (0) 203 409 1779