

NETWORK 8 EXCHANGE UNIT

Emergency Voice Communication System

The Network 8 Line Exchange Unit delivers an efficient solution to larger EVCS sites with distributed loop based architecture.

The Honeywell Network 8 exchange unit is a small wall mounted unit which can be distributed throughout a site and concealed from view in convenient locations such as risers, stairwells and cupboards.

Using this system greatly reduces the cabling requirement and equipment 'on view' in key places such as reception areas, making the system aesthetically pleasing to the customer as well reducing the cost of installation.

Each Network 8 exchange unit sits on a data highway and is locally powered, with internal battery backup from a monitored, maintained sealed lead acid battery.

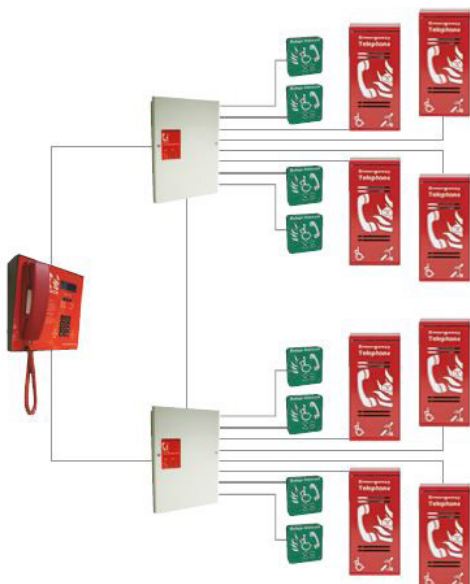
Up to 8 lines can be connected to each distributed exchange, and each line is fully monitored for open, short or earth faults. Up to 19, 8 line exchange units can be attached to a Honeywell network master system giving a maximum system size of 152 independent lines.



FEATURES AND BENEFITS

- Modular scalable system architecture for efficient installation
- Loop based network for fault resilience
- Up to 152 outstations via 19 Network Exchange units
- Compact wall mounted unit
- Output relay to control external equipment such as VA/PA
- Built in power supply and battery back-up
- Power supply for System Master Handsets
- Global configuration from Master Handset

SCHEMATIC



Network 8 Technical Specification

INDICATION AND CONTROLS

Fault LEDs	1.0 off yellow (General, PSU, 8 lines)
Status LEDs	2 off green (AC & DC)
Settings	8 way DIP switch

OUTSTATION CABLES

Cable (per line)	1 off 2 core (twisted for MICC)
Distance (per leg)	500M soft Skin types, 300M MICC
Monitoring	DC open, short & earth

NETWORK CABLES

Cores	1 off four Pair or 2 off four core 1 mm CSA Soft Skin or 4 off 1 Pair MICC Twisted
Distance	500M soft skin, 300M MICC

PROCESSING

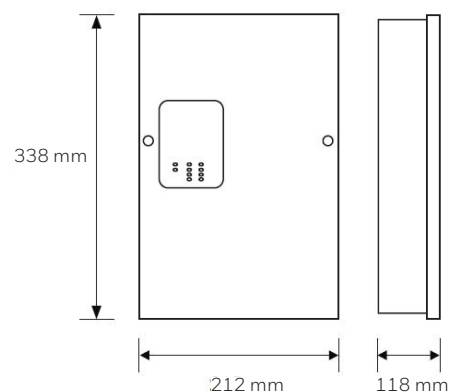
Clock	16MHz
Memory	4K Ram 20K EEPROM 128K Flash
Monitoring	Asynchronous Watchdog
Checksum	EEPROM & Flash

PART NUMBERS

DESCRIPTION	ORDER CODE
8 Way Exchange Unit/Charger, including 1 x 5Ah 12V battery	EVCS-XC
Master Handset (Desk)	EVCS-MS
Flush Outstation Push Door, Type A	EVCS-HFP
Surface Station Push Door, Type A	EVCS-HSP
Surface Outstation Type B, Red	EVCS-HSB
Surface Outstation Type B, Green	EVCS-HSBG
Surface Outstation Type B, Stainless Steel	EVCS-SFSS
Flush Mounting Bezel Type B, Stainless Steel	VCFHB
Loose Handset With Jack Lead	EVCS-HLJ
Wall Jack Outlet Point	EVCS-WJP
Emergency Assist Alarm Network Version- PSU not included	EVCS-TA

DIMENSIONS

Height	338 mm
Width	212 mm
Depth	118 mm
Weight	1.6 kg



POWER SUPPLY

Voltage	230V AC \pm 20%
Current	11mA
Charger	1A Controlled Impedance
Charger	Open, short & High impedance cell

STANDARDS

EMC	EN 55103-1 & EN 55103-2
LVD	EN61000-3-2, EN61000-3-3, EN60950
Product Family	BS 5839-9 & BS 9999

For more information

Contact your Business Manager

Honeywell

140 Waterside Road
Hamilton Industrial Park
Leicester, LE5 1TN
Tel: +44 (0) 203 409 1779

NETWORK8WALL 02 | 11/2020
© 2020 Honeywell International Inc.