

PAGING RESPONSE PAGER

The Response pagers are simple, compact and discreet personal devices for short messages. They're lightweight, comfortable to wear and come with a robust belt/pocket clip. Can be used for Equalities Act notification of a site alarm with simple messaging or for Fire Marshall with full Device Address displayed on the pager.

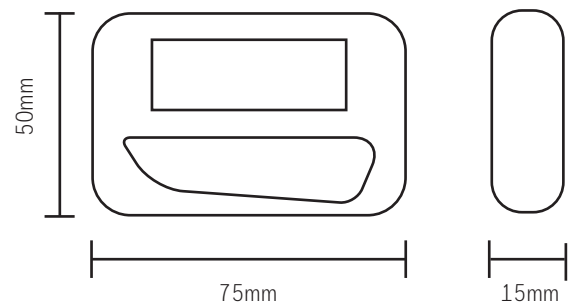


FEATURES AND BENEFITS

- The paging system consists of a wall-mounted High Impact Polystyrene enclosure containing 4-watt transmitter enclosed in aluminium surround
- Adheres to BS 5839 and meets Equality Act 2010 recommendations
- Status indicator LED for Power and Transmission
- Monitored power output
- An optional antenna (dipole) installed external to equipment enclosure
- RS232 data port input and programming
- 15 contact closure alarms Normally Closed Contact – Monitoring output (to Fire Panel)
- Alphanumeric Pagers
- EN54-4 Power Supply
- Compliance with the requirements of BS 5839 part 1 low battery audible alarm in the event of mains failure
- Out of Range/No service indication to pagers
- A 240-volt 3 pin plug (fused spur option)
- Site programmable for multiple Honeywell fire panel options

TECHNICAL SPECIFICATION	RESPONSE PAGER
Model No	7950
Frequency	433Mhz - 470Mhz
Code Format	POCSAG
Channel Spacing	12.5 kHz
Frequency Deviation	2.25 kHz
Battery Type	1 x AA
Operating Temperature	-20°C to +50°C
Weight with Battery	112 grams
Dimensions(WxHxD)	75mm x 50mm x 15mm

Dimensions (mm)



ORDER CODES	
Model:	Description:
HLS-RES-AAPAG-ECA	Pager Black – Equalities Compliance Act Device
HLS-RES-AAPAG-FIRE	Pager Black – Fire Marsahl

Honeywell

140 Waterside Road
Hamilton Industrial Park
Leicester
LE5 1TN

Tel: +44 (0) 203 409 1779

Email: hlsuksalesupport@honeywell.com

All technical data is correct at the time of publication and is subject to changes without notice. All trademarks acknowledged. Installation information: In order to ensure full functionality, refer to the installation instructions as supplied.

Paging Response Pager | V.01 | 04/21
© 2021 Honeywell International Inc.

Honeywell