

Site Survey Kit

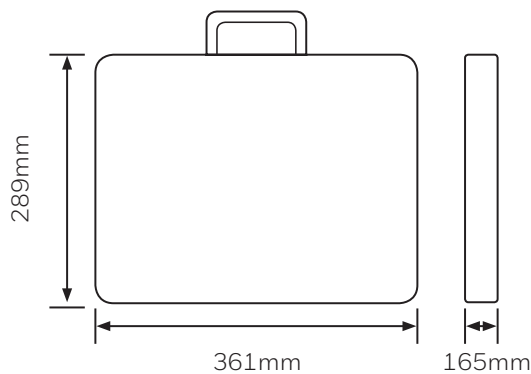
The Response Paging Site Survey Kit is a simple and convenient solution for those conducting regular paging site surveys.

It comes in a lightweight and robust case that makes for safe and convenient transportation whilst also providing quick and easy set up to the user.

TECHNICAL SPECIFICATION	
Power Supply	240VAC or 12v battery (min 3.2 amps)
Frequency Range	UHF: 427.5 – 475MHz, synthesized
Channel Spacing	12.5kHz or 25kHz
Power Output	500mW to 4W \pm 1dB 50 Ω
Baud Rate (Transmission)	512 or 1200 Baud
Pager Transmit Message Format	POCSAG
External Case Dimensions (L x W x D)	289mm x 361mm x 165mm

ORDER CODES	
Model:	Description:
HLS-RES-SK	Response System Survey Kit

Dimensions (mm)



KEY FEATURES

- Kit contains :
 - Rugged case
 - 4w transmitter
 - Pager
 - Programming Software
 - Dipole antenna
 - Power lead
 - USB lead
- Quick set up (no PC required on site)
- 4w transmitter as standard
- Flexibility to decrease to 500mW using the provided software (used for Response Link site surveys)

Honeywell

140 Waterside Road
Hamilton Industrial Park
Leicester
LE5 1TN

Tel: +44 (0) 203 409 1779

Email: hlsuksalesupport@honeywell.com

Honeywell reserves the right, without notification, to make changes in product design or specifications.

May 2019

© 2019 Honeywell International Inc.