

Non-Addressable Audible Visual Devices

Base Sounder

Honeywell's conventional audible visual devices operate over a wide input voltage range of 9 to 33VDC and are optimised for use in 12V and 24V systems, making them suitable for use in both fire and security applications.

The conventional range of detector base sounders are available in a standard 4 tone version in white with locally controllable output levels to enable the sound intensity to be adjusted to suit the application.

The detector base sounders are suitable for fire detectors with 60mm mounting centres. The sounders can also be fitted with a red or white lid in place of a fire detector, enabling them to be positioned vertically on the wall.

This arrangement provides an extremely low profile unit which is unobtrusive and protrudes only 35mm from the wall.

The distinctive low profile shape is acoustically very efficient, producing an omni-directional high sound output at low current levels. Rugged construction with solid state electronics also provides high reliability and stable performance.

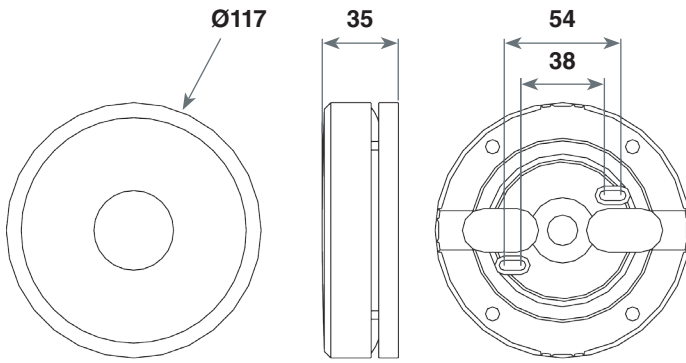
All wall mount sounder products ensure full compliance as they are designed and approved to EN54-3 and also CPD (Construction Products Directive) approved.



FEATURES & BENEFITS

- 4 Tone Sounder
- High sound output, low current consumption
- High reliability and stable performance
- Volume control
- Lid accessory available to enable vertical installation
- Designed and approved to EN54-3
- Market specific tone set available

Dimensions



Technical Specifications

| ELECTRICAL | |
|----------------------------------|--|
| Operating Voltage | 9 to 33VDC (Approved to 10-14V and 21-27V) |
| Sound Output | Up to 92db(A) @1m |
| ENVIRONMENTAL | |
| Operating Temperature | -25oC to 70oC (with sealing kit) |
| Relative Humidity | Up to 96% @ 55oC |
| Ingress Protection | IP24D |
| MECHANICAL | |
| Diameter | 117mm |
| Depth | 35mm |
| Colour | White |
| Weight | 220g |
| Material | PC/ABS |
| Cable Termination | 0.5-2.5mm ² |
| Gross Weight – First Fix option: | (low profile) 200g (deep / IP65) 207g |

| ORDER CODES | | |
|-------------|---|--------|
| Model | Description | Colour |
| SC085 | Cover plate for NBS4 ceiling mounting sounder. Pack of 10 | White |
| DBS1224B4W | Ceiling mounting base sounder, four tone (white), no cover. If required the SC085 (white) lid to be ordered separately. | White |

Honeywell

140 Waterside Road
 Hamilton Industrial Park
 Leicester
 LE5 1TN
 Tel: +44 (0) 203 4091779
 Fax: +44 (0) 116 246 2300
 www.honeywell.com